

This is a sample footprint/layout for illustration purposes only.

The equipment can be configured many different ways, turned the opposite direction etc.

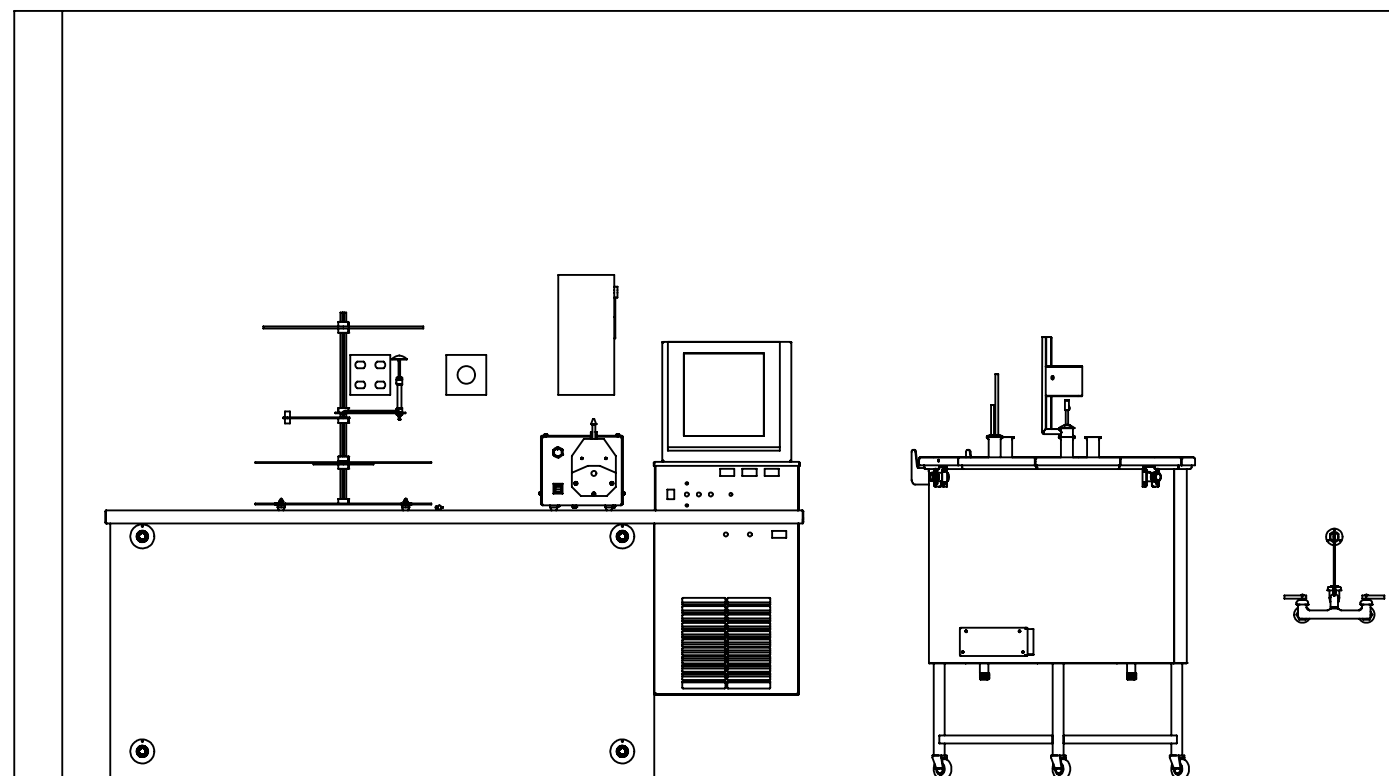
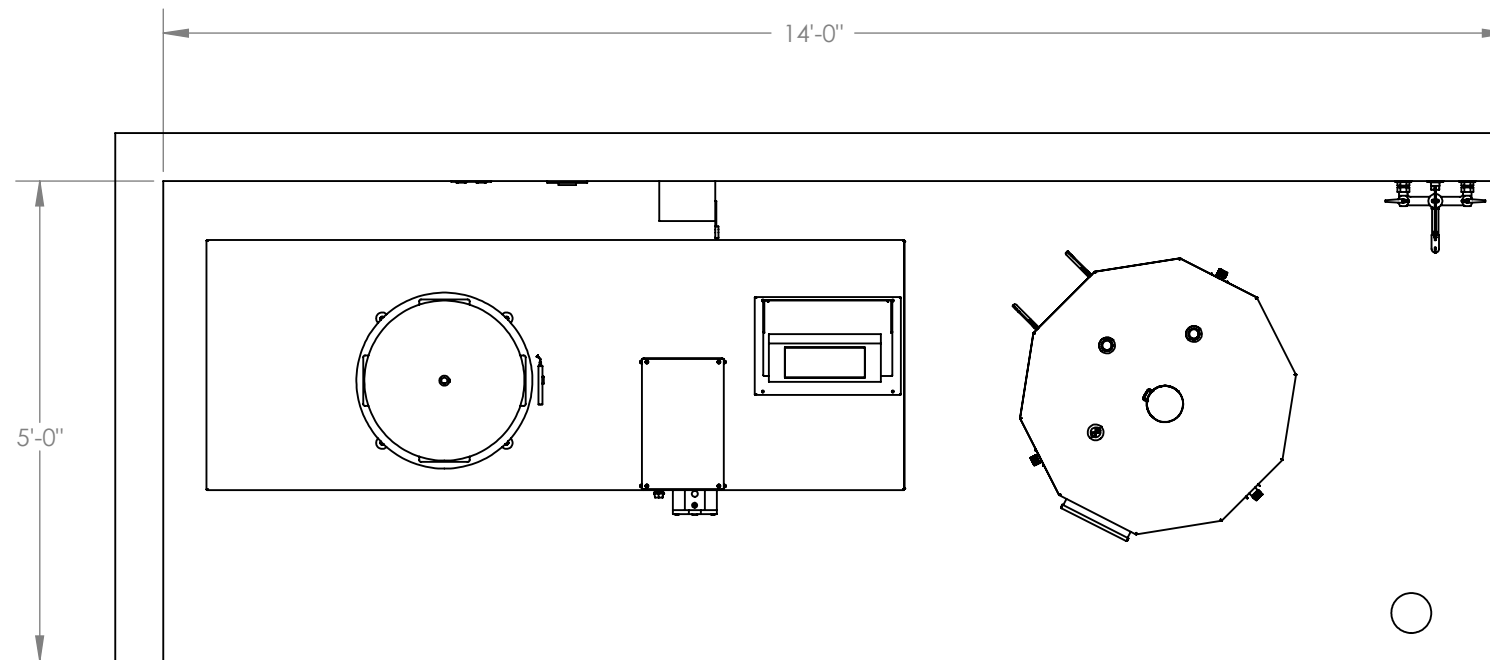
If you have specific question please do not hesitate to contact us.

MicroDairy Designs LLC
13339 Smithsburg Pike, Smithsburg MD 21783
301-824-3689 microdairy@kipe.com
CONFIDENTIAL DOCUMENT

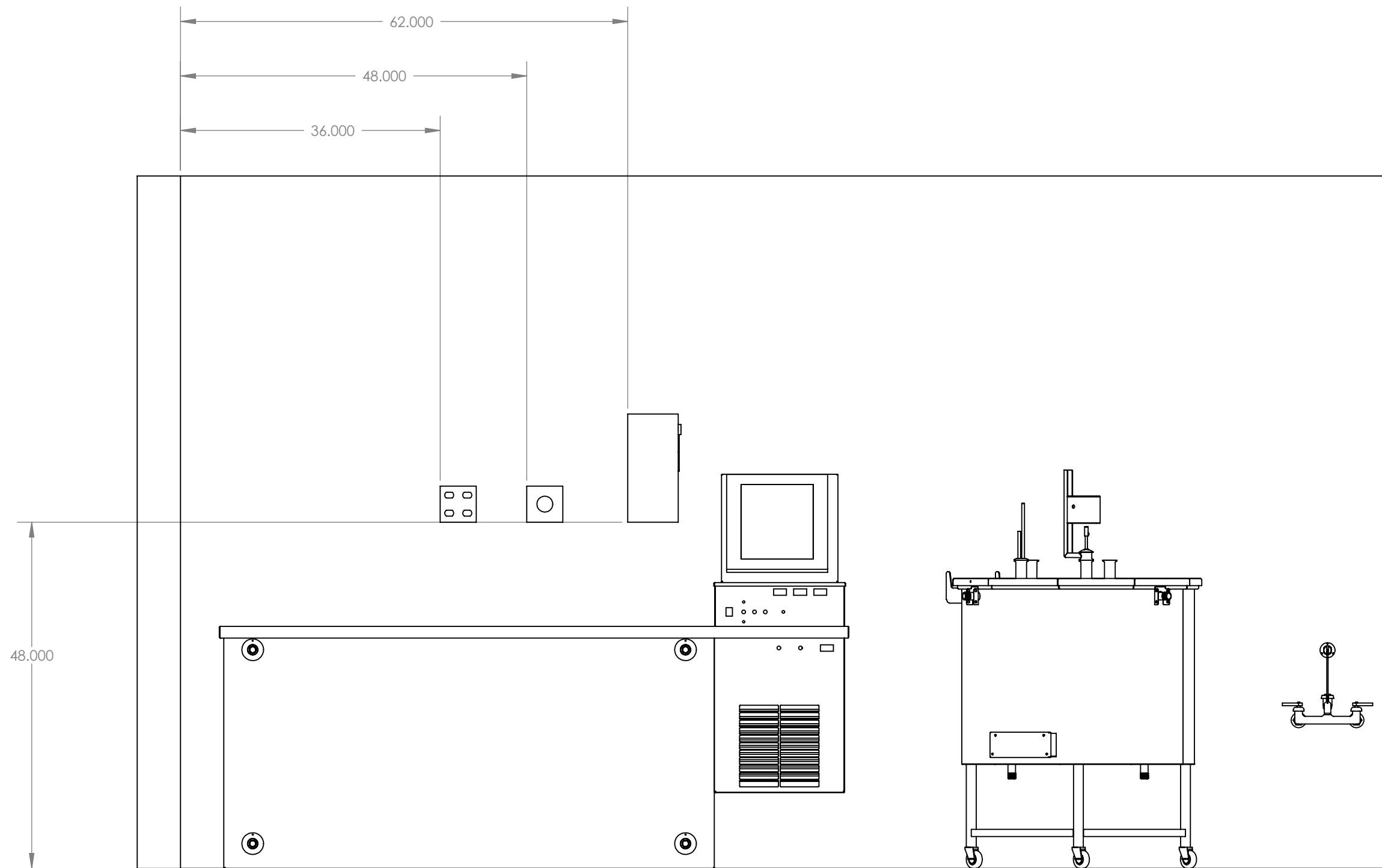
Pasteurizer, Chiller, Pump, Packager

Material: Assembly

LTR	DESCRIPTION	DATE	BY	SIZE	PART NO.	REV.
				B	Sample VP 45	#
REVISIONS				SCALE:	WEIGHT: 39090.88	SHEET 1 OF 3



MicroDairy Designs LLC 13339 Smithsburg Pike, Smithsburg MD 21783 301-824-3689 microdairy@kipe.com CONFIDENTIAL DOCUMENT			
Pasteurizer, Chiller, Pump, Packager			
Material: Assembly			
SIZE	PART NO.	REV.	#
B	Sample VP 45		#
SCALE:	WEIGHT: 39090.88	SHEET 2 OF 3	



Sample Electrical Configuration

Note: All Components come with
cords so exact location of
receptacles is not critical

MicroDairy Designs LLC 13339 Smithsburg Pike, Smithsburg MD 21783 301-824-3689 microdairy@kipe.com CONFIDENTIAL DOCUMENT		
Pasteurizer, Chiller, Pump, Packager		
Material: Assembly		
SIZE	PART NO.	REV.
B	Sample VP 45	#
SCALE:	WEIGHT: 39090.88	SHEET 3 OF 3