

**This is a sample footprint/layout for illustration purposes only.**

**The equipment can be configured many different ways, turned the opposite direction etc.**

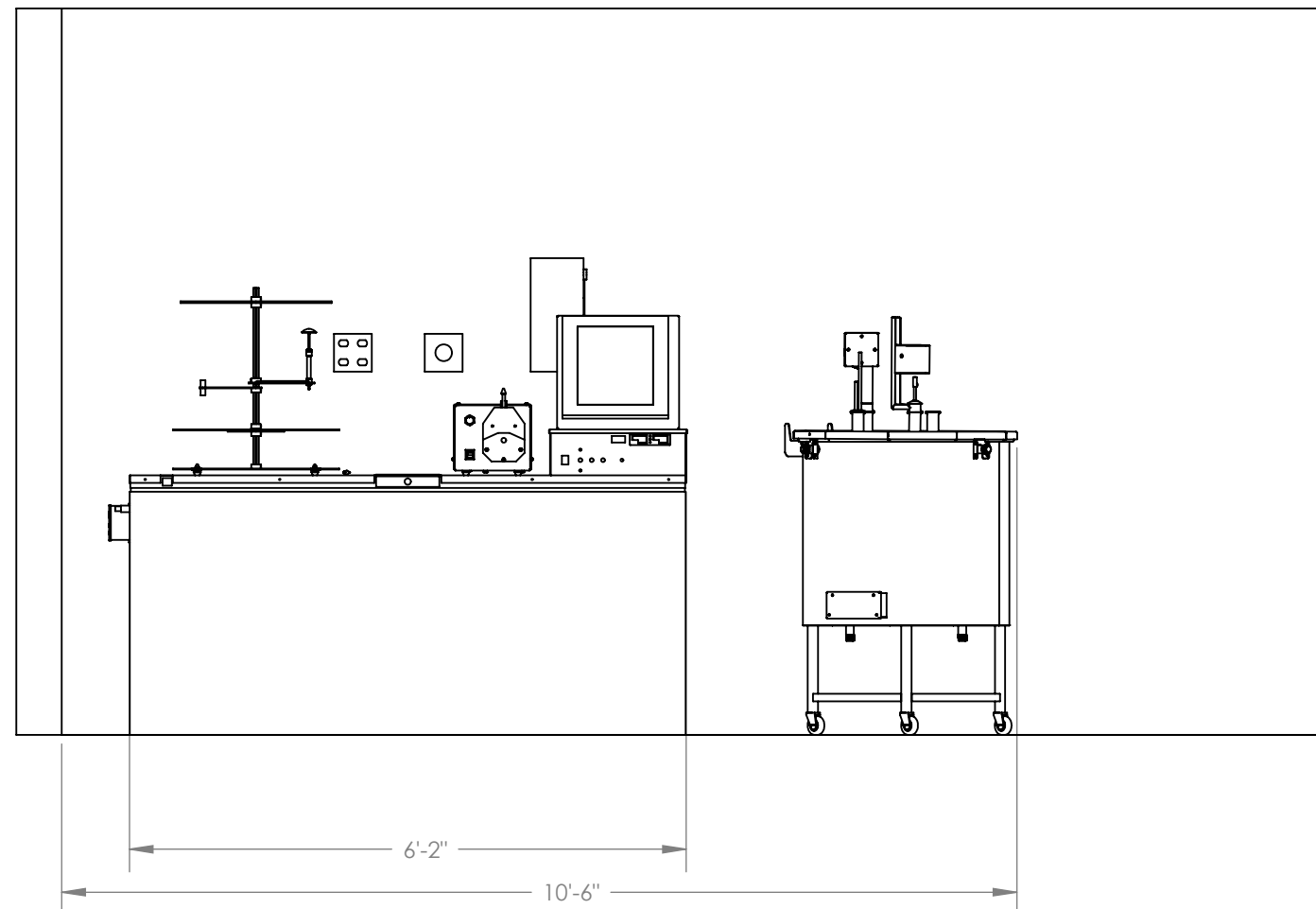
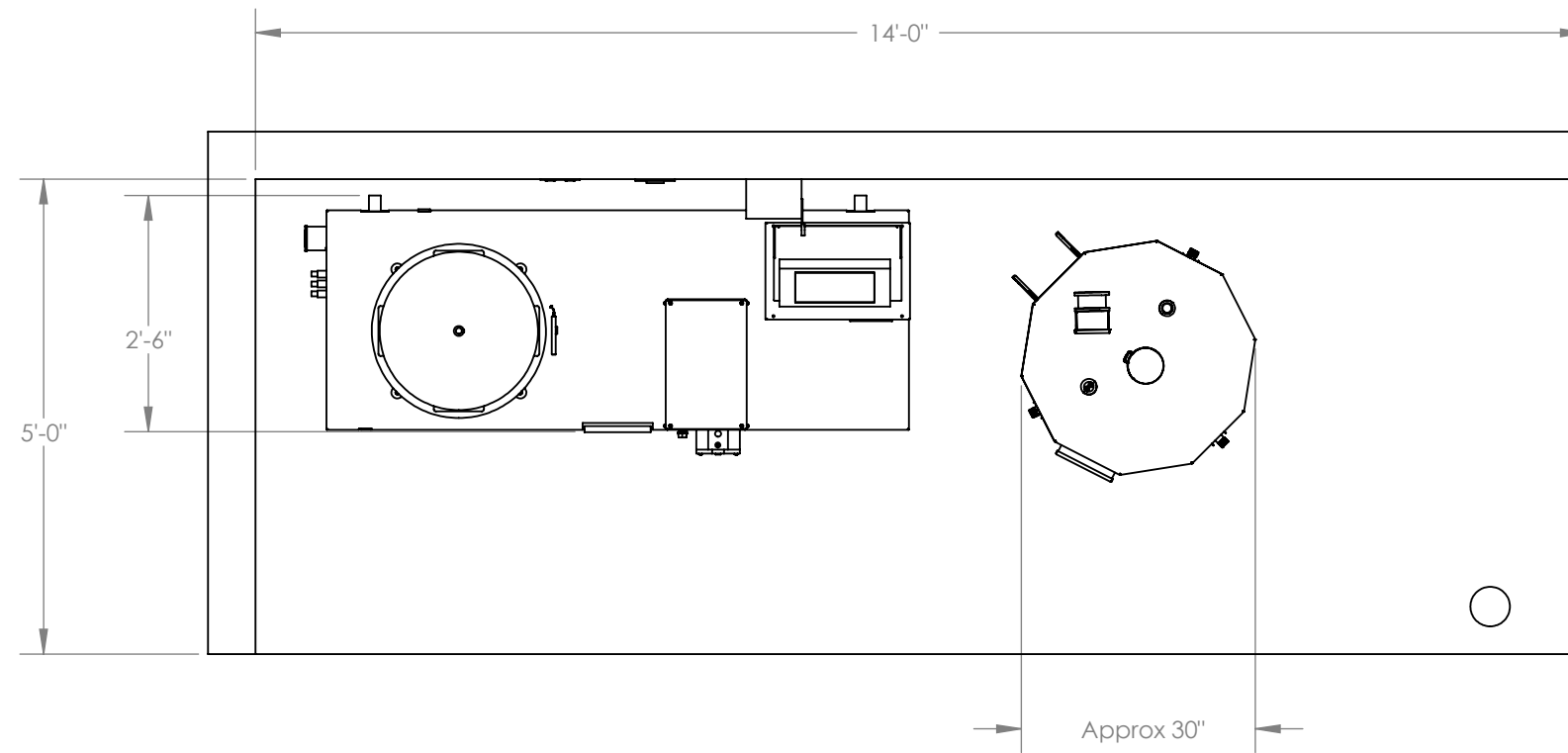
**If you have specific question please do not hesitate to contact us.**

**MicroDairy Designs LLC**  
 13339 Smithsburg Pike, Smithsburg MD 21783  
 301-824-3689 microdairy@kipe.com  
**CONFIDENTIAL DOCUMENT**

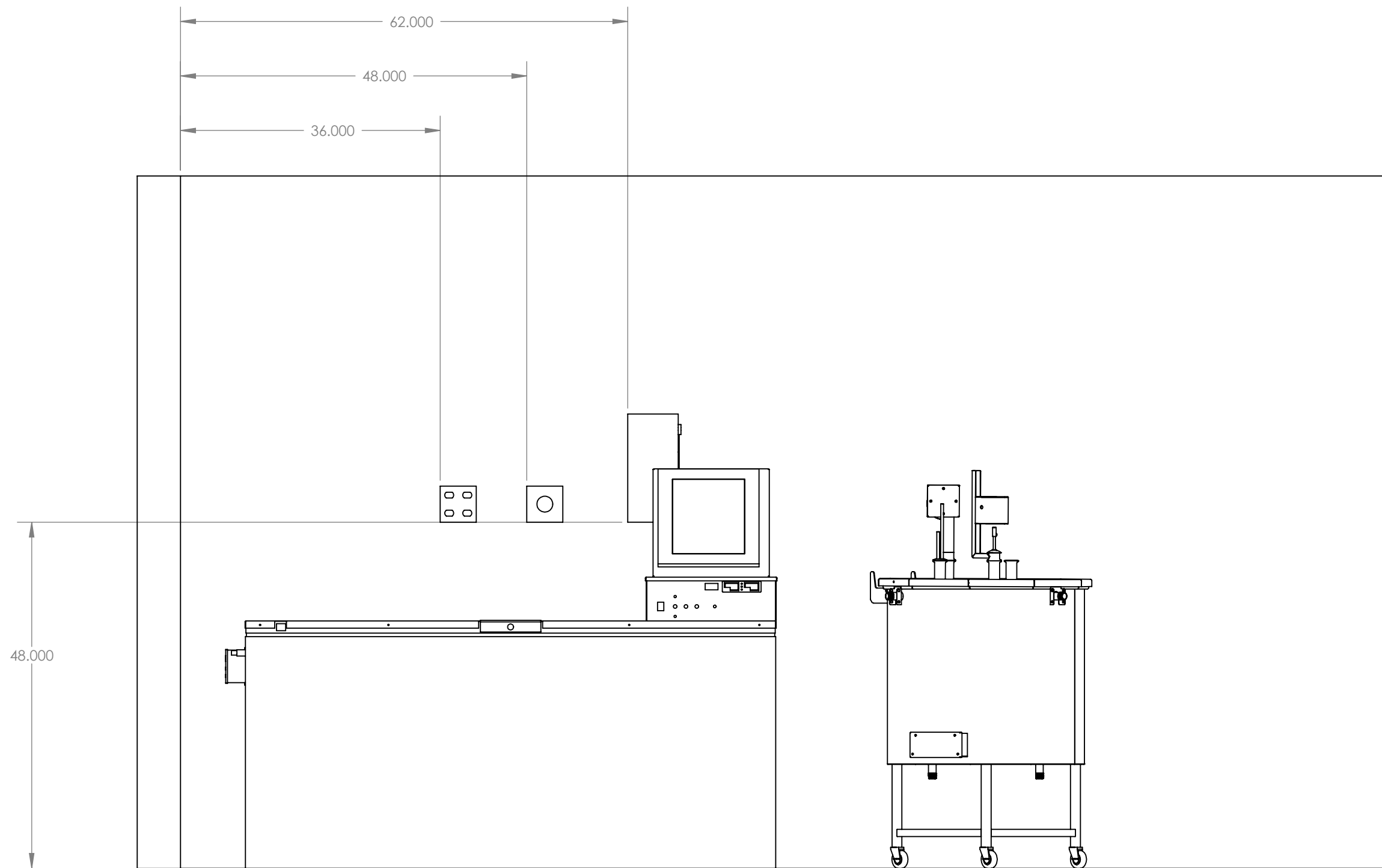
Pasteurizer, Chiller, Pump, Packager

Material: Assembly

LTR	DESCRIPTION	DATE	BY	SIZE	PART NO.	REV. #
				B	Sample VP 30	#
REVISIONS				SCALE:	WEIGHT: 38859.52	SHEET 1 OF 3



<b>MicroDairy Designs LLC</b> 13339 Smithsburg Pike, Smithsburg MD 21783 301-824-3689 microdairy@kipe.com <b>CONFIDENTIAL DOCUMENT</b>			
Pasteurizer, Chiller, Pump, Packager			
Material: Assembly			
SIZE	PART NO.	REV.	#
<b>B</b>	Sample VP 30		#
SCALE:	WEIGHT: 38859.52	SHEET 2 OF 3	



Sample Electrical Configuration

Note: All Components come with  
cords so exact location of  
receptacles is not critical

<b>MicroDairy Designs LLC</b> 13339 Smithsburg Pike, Smithsburg MD 21783 301-824-3689 microdairy@kipe.com <b>CONFIDENTIAL DOCUMENT</b>		
Pasteurizer, Chiller, Pump, Packager		
Material: Assembly		
SIZE <b>B</b>	PART NO. Sample VP 30	REV. #
SCALE:	WEIGHT: 38859.52	SHEET 3 OF 3