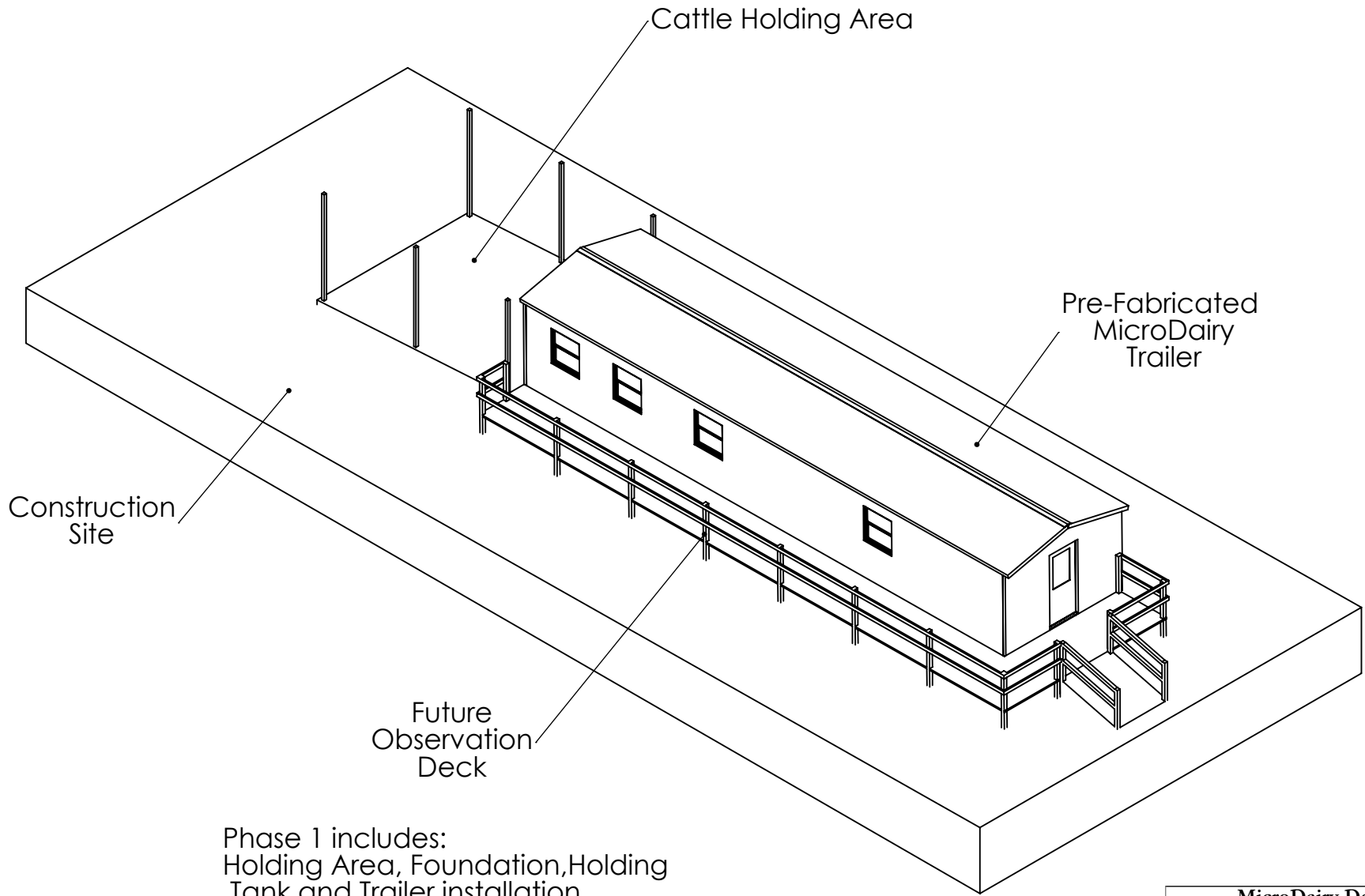


MicroDairy Designs LLC
13339 Smithsburg Pike, Smithsburg, MD 21783
301-824-3689 microdairy@kipe.com www.kipe.com
CONFIDENTIAL DOCUMENT

MicroDairy Cover Sheet

Material:

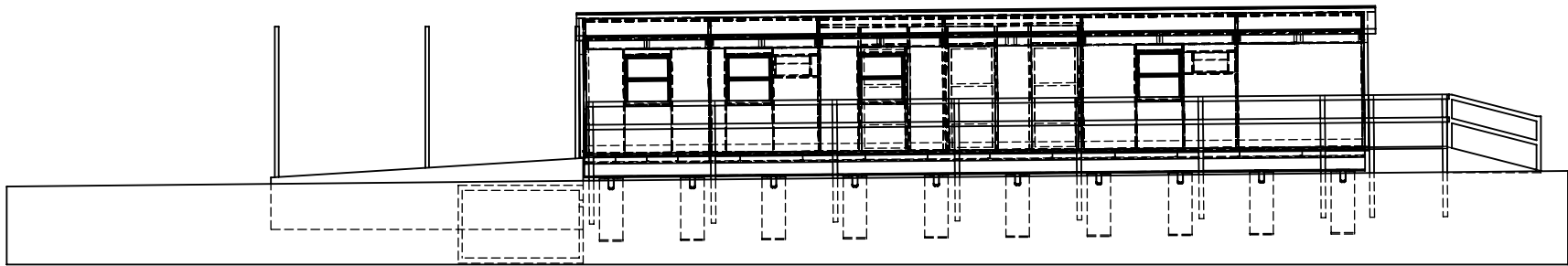
SIZE	DWG. NO.	REV.
A		
SCALE:1:1	WEIGHT:	SHEET 1 OF 20



Phase 1 includes:
 Holding Area, Foundation, Holding
 Tank and Trailer installation

Phase 2 Adds:
 Store, Handicapped Parking, Deck
 and Walkways, Restroom.

MicroDairy Designs LLC 13339 Smithsburg Pike, Smithsburg, MD 21783 301-824-3689 microdairy@kipe.com www.kipe.com CONFIDENTIAL DOCUMENT			
<h2>MicroDairy Overview</h2>			
Material:			
SIZE	DWG. NO.	REV.	
A			
SCALE:1:1	WEIGHT:	SHEET 2 OF 20	



MicroDairy Designs LLC
13339 Smithsburg Pike, Smithsburg, MD 21783
301-824-3689 microdairy@kipe.com www.kipe.com
CONFIDENTIAL DOCUMENT

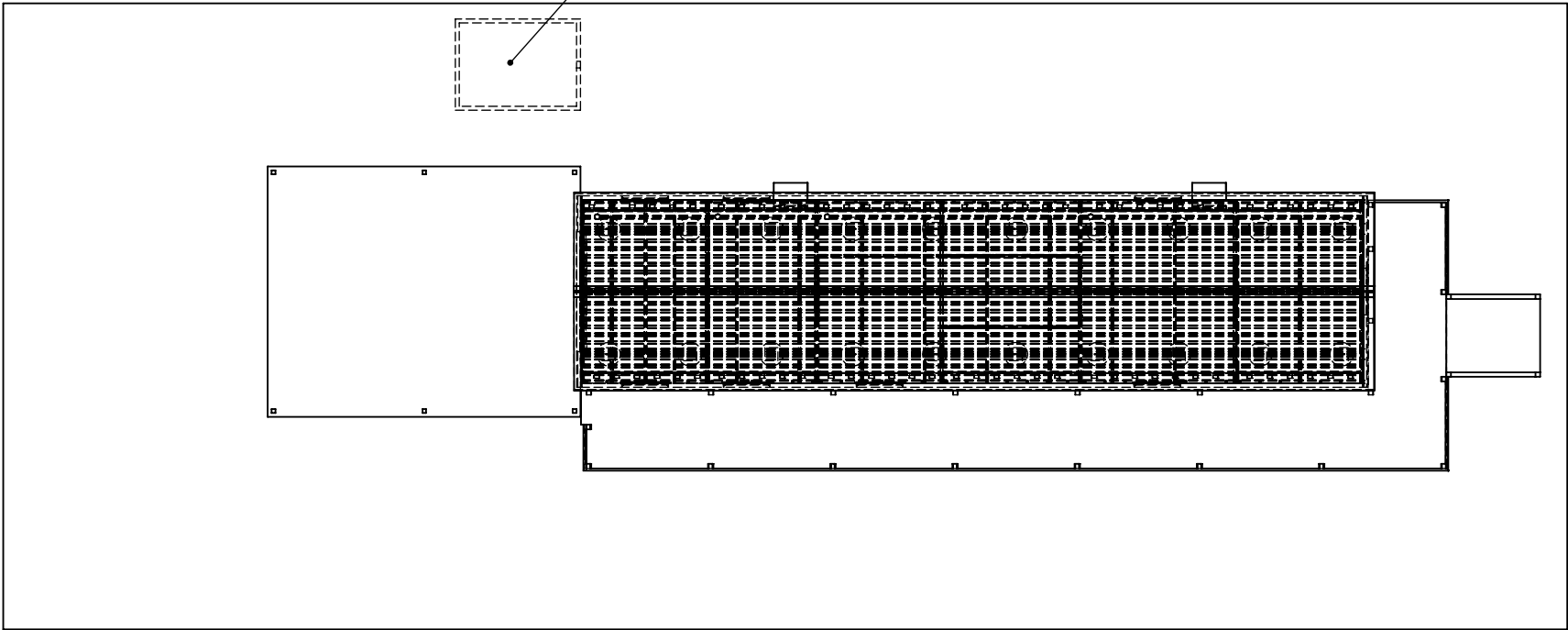
MicroDairy
Left View

Material:

SIZE	DWG. NO.	REV.
A		

SCALE:1:1	WEIGHT:	SHEET 3 OF 20
-----------	---------	---------------

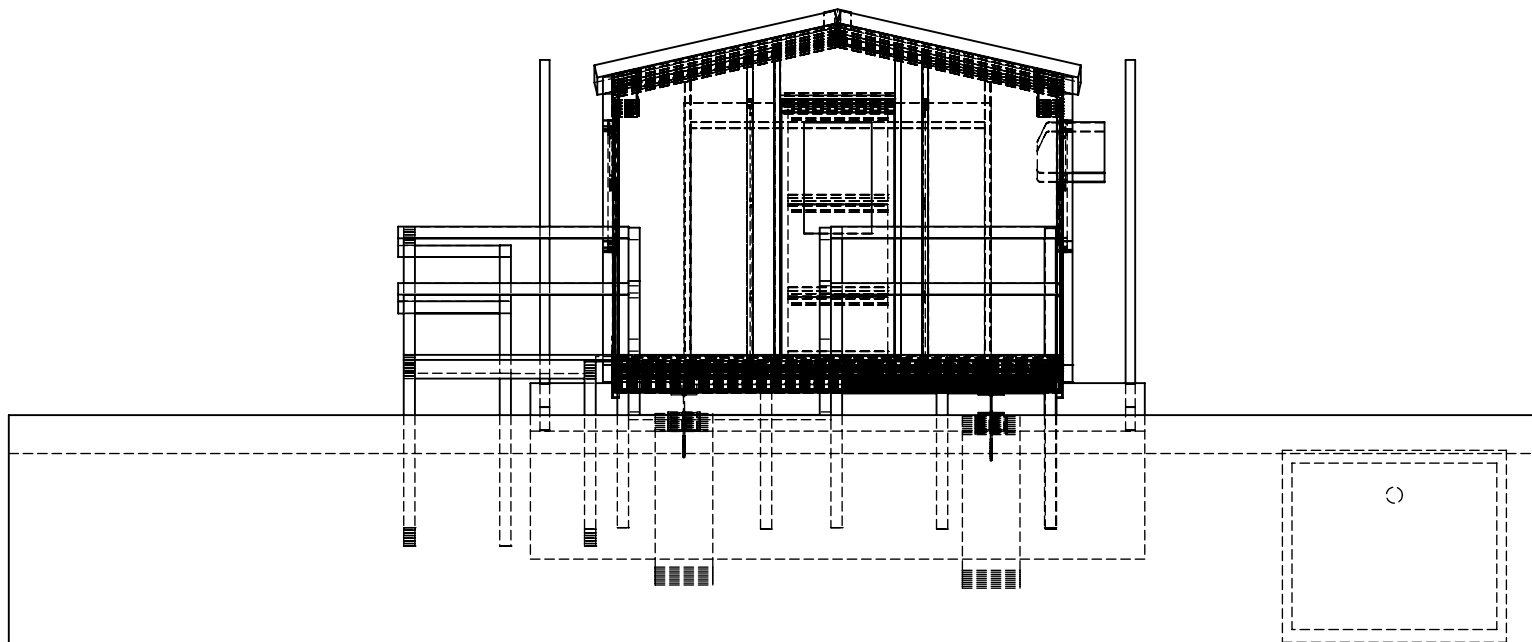
Processing
Waste
Holding Tank



MicroDairy Designs LLC
13339 Smithsburg Pike, Smithsburg, MD 21783
301-824-3689 microdairy@kipe.com www.kipe.com
CONFIDENTIAL DOCUMENT

MicroDairy Top View

Material:		
SIZE	DWG. NO.	REV.
A		
SCALE:1:1	WEIGHT:	SHEET 4 OF 20

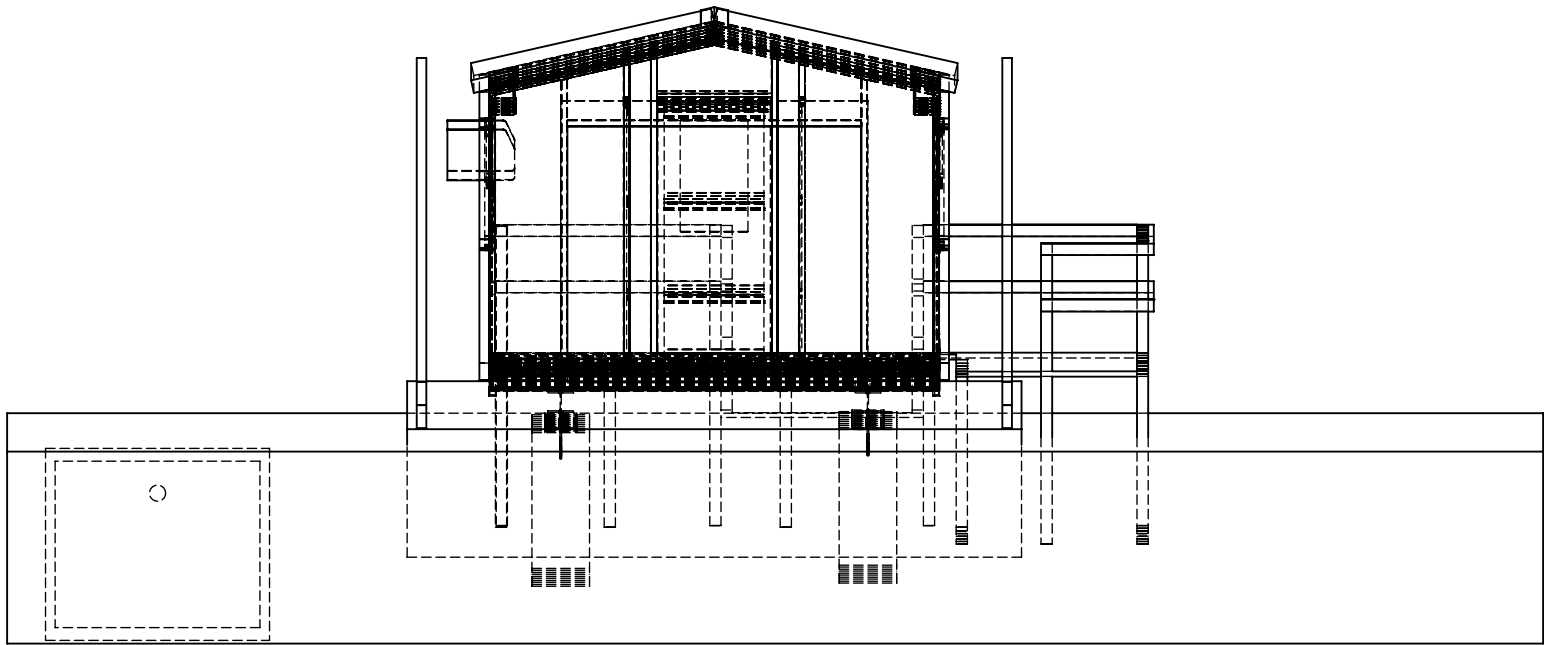


MicroDairy Designs LLC
13339 Smithsburg Pike, Smithsburg, MD 21783
301-824-3689 microdairy@kipe.com www.kipe.com
CONFIDENTIAL DOCUMENT

MicroDairy
Front View

Material:

SIZE A	DWG. NO.	REV.
SCALE:1:1	WEIGHT:	SHEET 5 OF 20

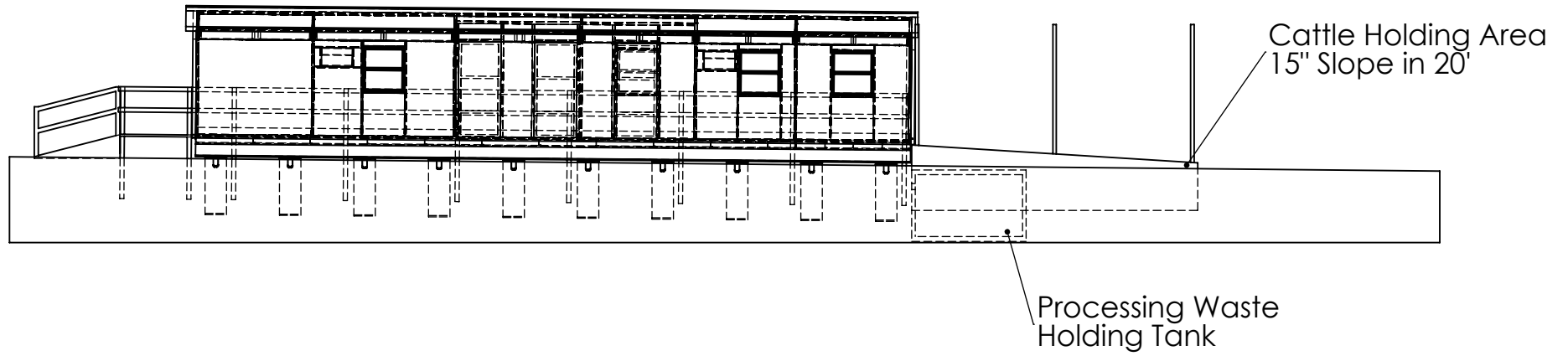


MicroDairy Designs LLC
13339 Smithsburg Pike, Smithsburg, MD 21783
301-824-3689 microdairy@kipe.com www.kipe.com
CONFIDENTIAL DOCUMENT

MicroDairy Back View

Material:

SIZE	DWG. NO.	REV.
A		
SCALE:1:1	WEIGHT:	SHEET 6 OF 20



MicroDairy Designs LLC
 13339 Smithsburg Pike, Smithsburg, MD 21783
 301-824-3689 microdairy@kipe.com www.kipe.com
CONFIDENTIAL DOCUMENT

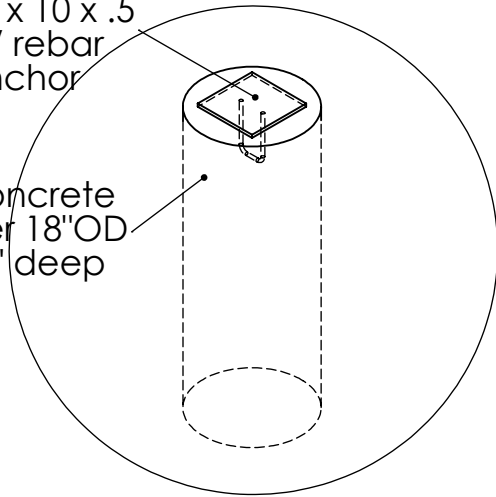
**MicroDairy
 Right View**

Material:

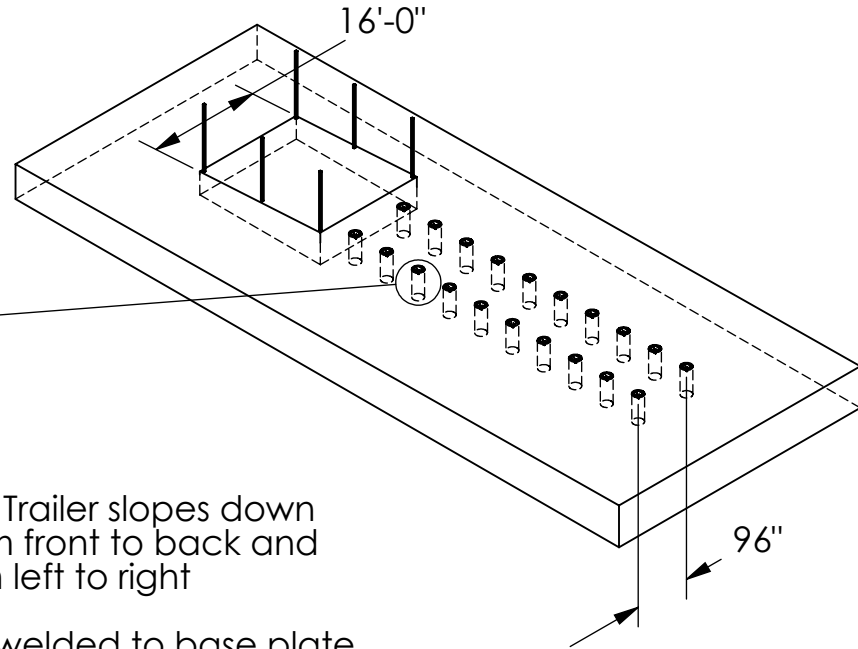
SIZE A	DWG. NO.	REV.
SCALE:1:1	WEIGHT:	SHEET 7 OF 20

Base Plate
10 x 10 x .5
w/ rebar
anchor

Concrete
Pier 18"OD
36" deep

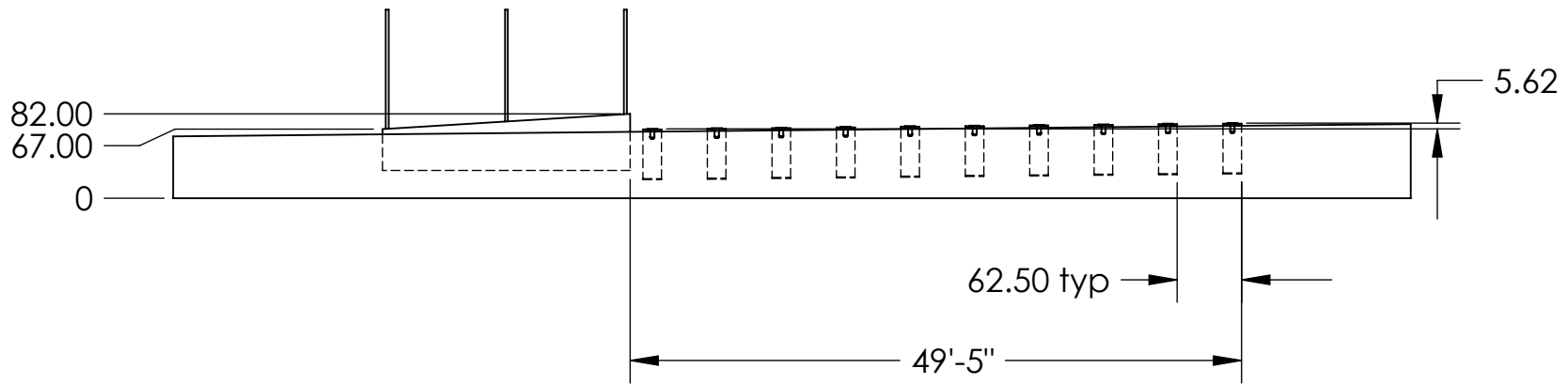


DETAIL C

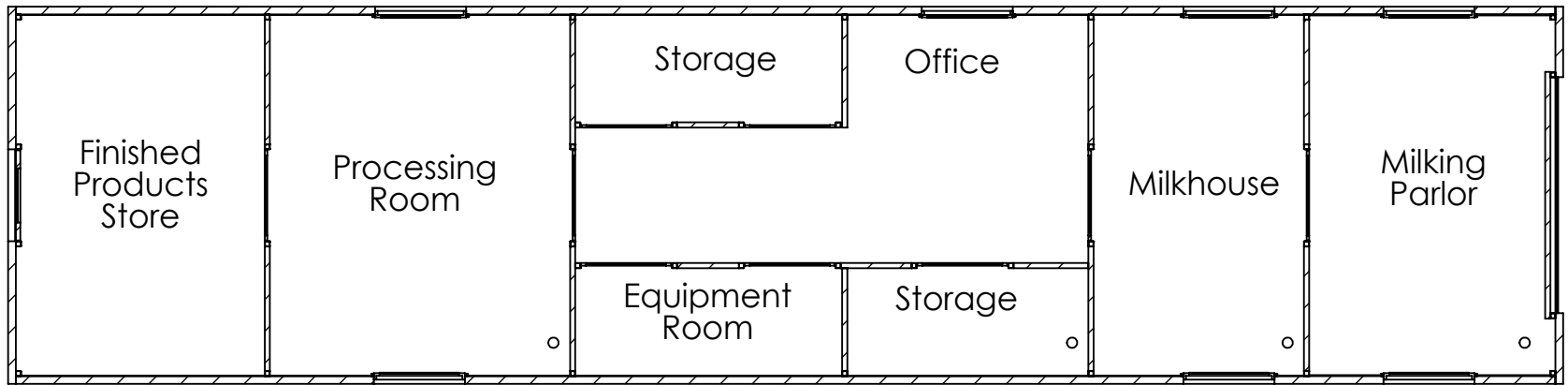
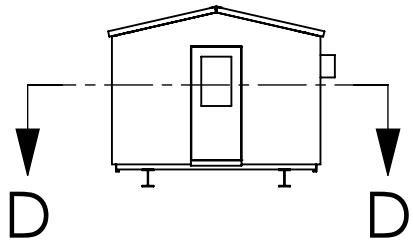


Notes: Trailer slopes down
5" from front to back and
1" from left to right

Trailer welded to base plate
with 2" of weld per pier

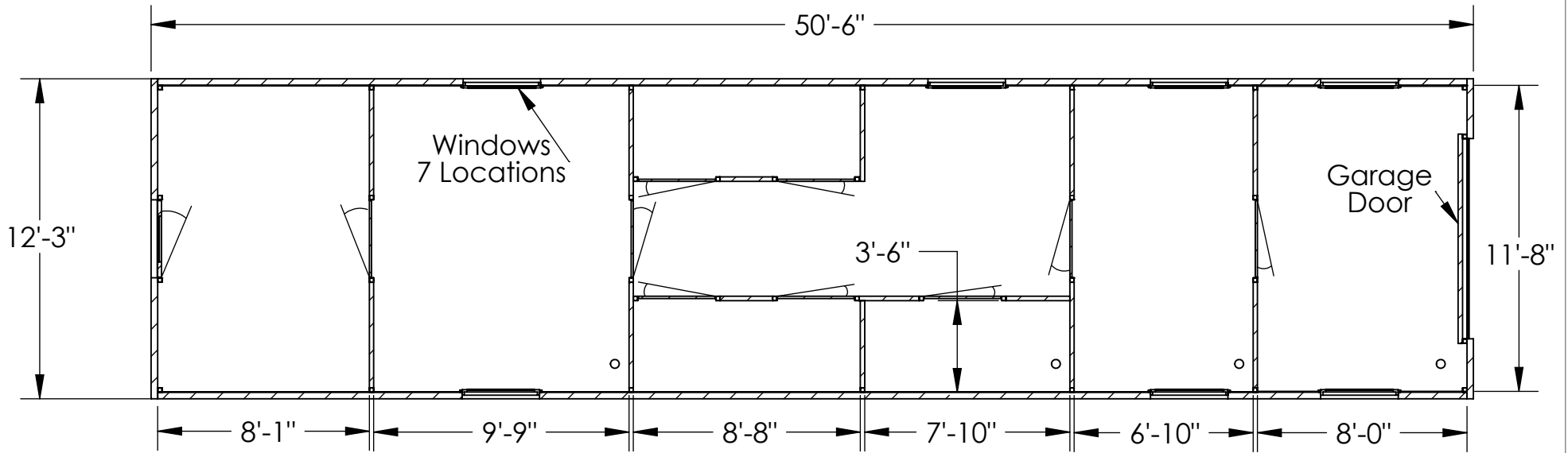
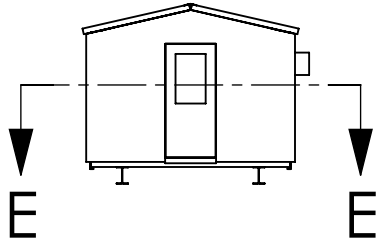


MicroDairy Designs LLC 13339 Smithsburg Pike, Smithsburg, MD 21783 301-824-3689 microdairy@kipe.com www.kipe.com CONFIDENTIAL DOCUMENT		
MicroDairy Trailer Support Piers Holding Area		
Material:		
SIZE A	DWG. NO.	REV.
SCALE:1:1	WEIGHT:	SHEET 8 OF 20



SECTION DD

MicroDairy Designs LLC 13339 Smithsburg Pike, Smithsburg, MD 21783 301-824-3689 microdairy@kipe.com www.kipe.com CONFIDENTIAL DOCUMENT			
<h2>MicroDairy Room Layout</h2>			
Material:			
SIZE	DWG. NO.	REV.	
A			
SCALE:1:1	WEIGHT:	SHEET 9 OF 20	



SECTION E-E

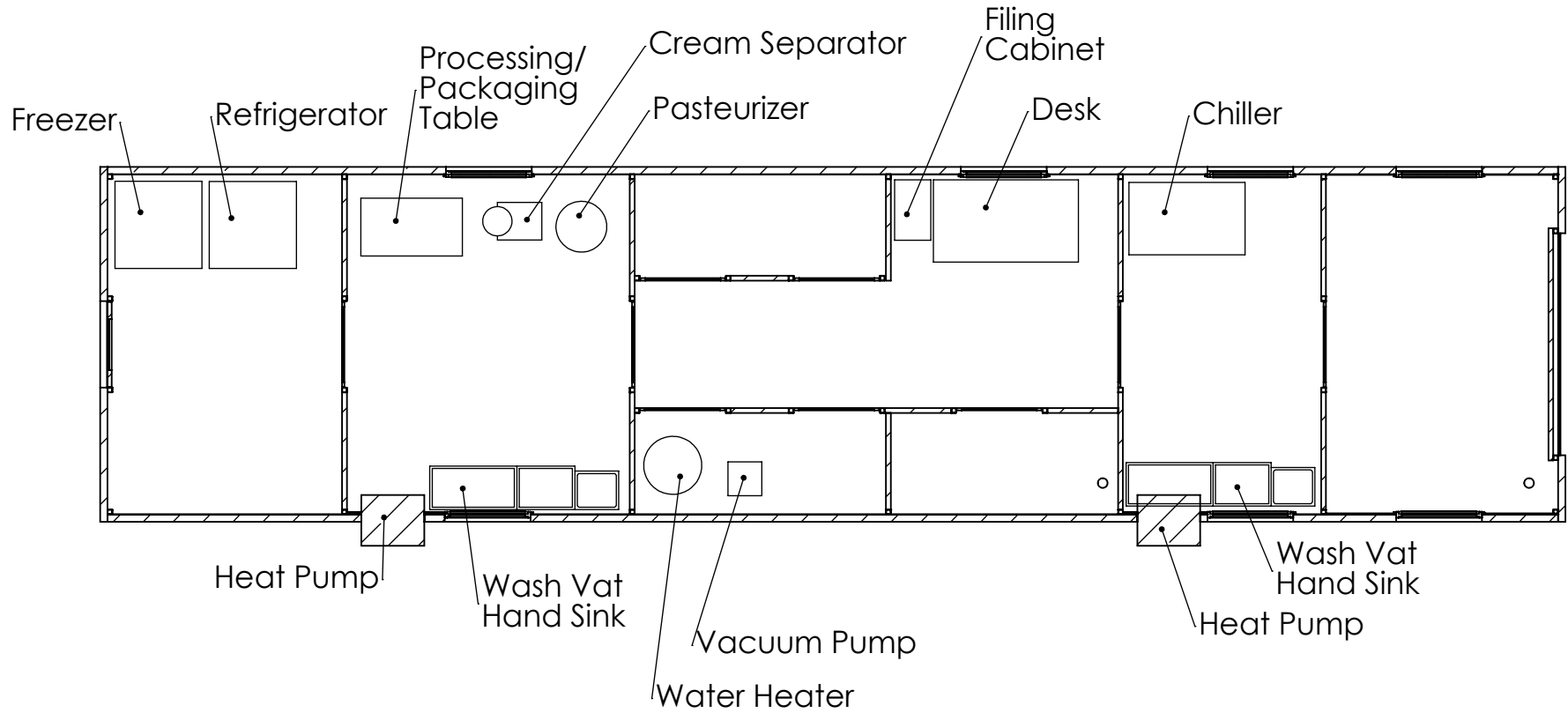
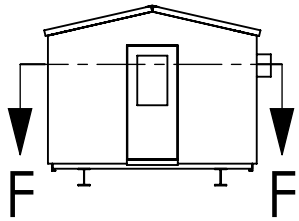
MicroDairy Designs LLC
 13339 Smithsburg Pike, Smithsburg, MD 21783
 301-824-3689 microdairy@kipe.com www.kipe.com
CONFIDENTIAL DOCUMENT

MicroDairy
Key Dimensions
Doors and Windows

Material:

SIZE	DWG. NO.	REV.
A		

SCALE:1:1 WEIGHT: SHEET 10 OF 20

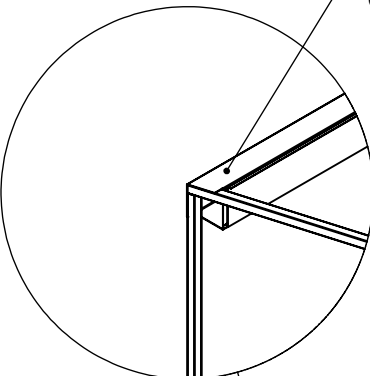


SECTION F-F

MicroDairy Designs LLC
 13339 Smithsburg Pike, Smithsburg, MD 21783
 301-824-3689 microdairy@kipe.com www.kipe.com
CONFIDENTIAL DOCUMENT

MicroDairy Major Fixtures		
Material:		
SIZE A	DWG. NO.	REV.
SCALE:1:1	WEIGHT:	SHEET 11 OF 20

Formed Stainless Steel Raceway for Electrical, Water and Air lines and structural Integrity



DETAIL H

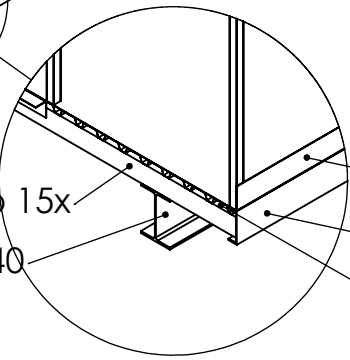
Cow Platform
1/4" Stainless Steel Sandblasted for traction

Main Floor
11ga Stainless Steel Sandblasted for traction

Structural Frame
2 x 2 x 11ga
Stainless Steel Tube

C5 x 6.7 typ 15x
W12 x 40

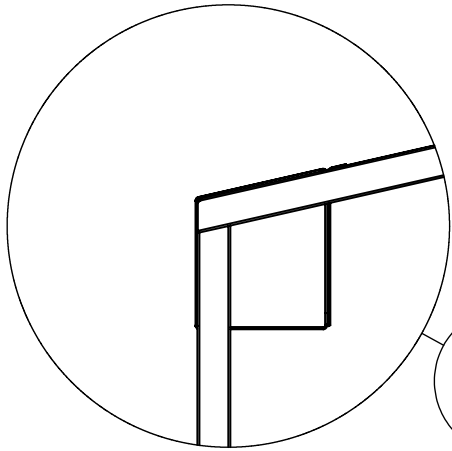
Formed Stainless Steel Curb
C8 x 11.5
1.5" Galvanized Decking



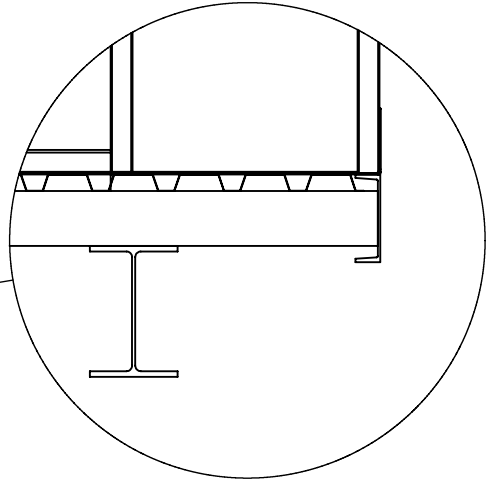
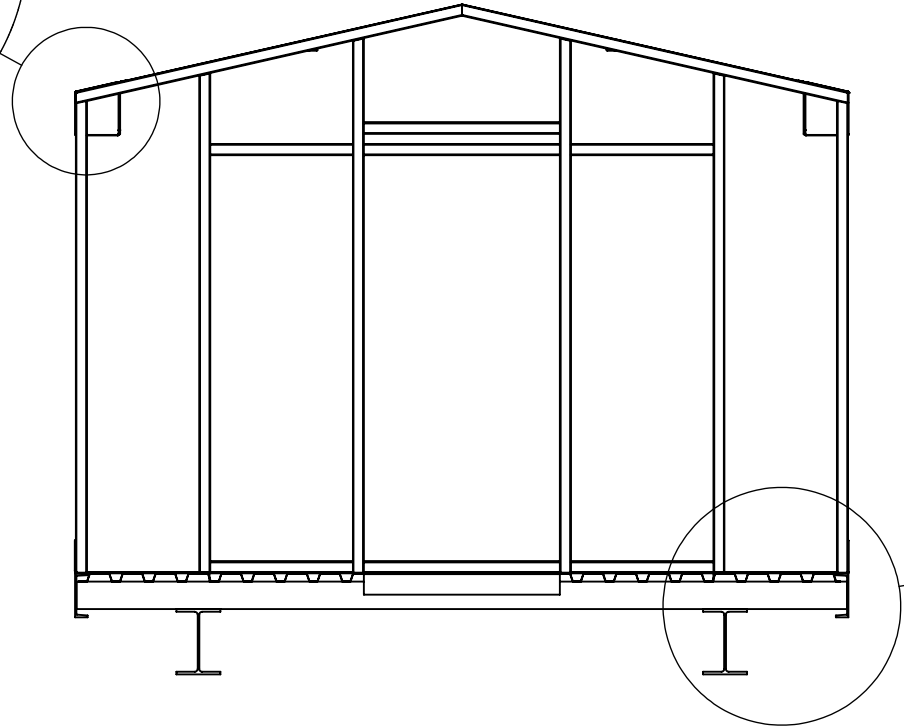
DETAIL G

MicroDairy Designs LLC
13339 Smithsburg Pike, Smithsburg, MD 21783
301-824-3689 microdairy@kipe.com www.kipe.com
CONFIDENTIAL DOCUMENT

MicroDairy Trailer Trailer Shell		
Material:		
SIZE A	DWG. NO.	REV.
SCALE:1:1	WEIGHT:	SHEET 12 OF 20



DETAIL L



DETAIL K

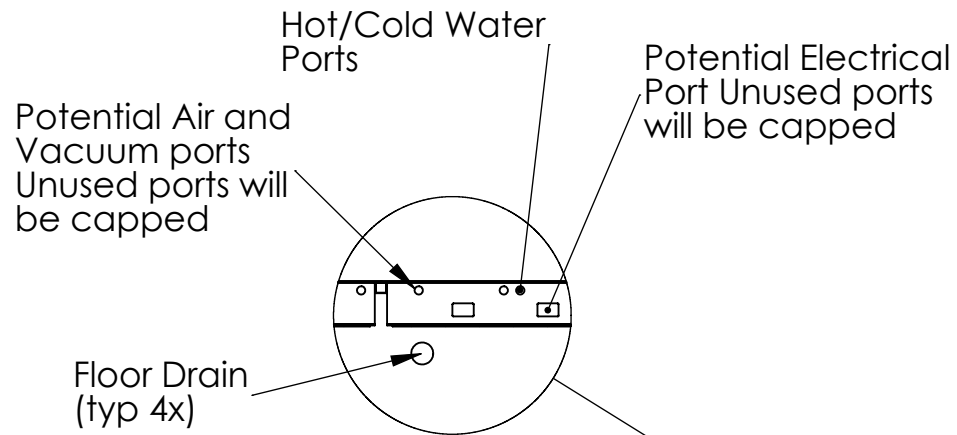
MicroDairy Designs LLC
 13339 Smithsburg Pike, Smithsburg, MD 21783
 301-824-3689 microdairy@kipe.com www.kipe.com
CONFIDENTIAL DOCUMENT

**MicroDairy Trailer
 Trailer Shell
 Front View**

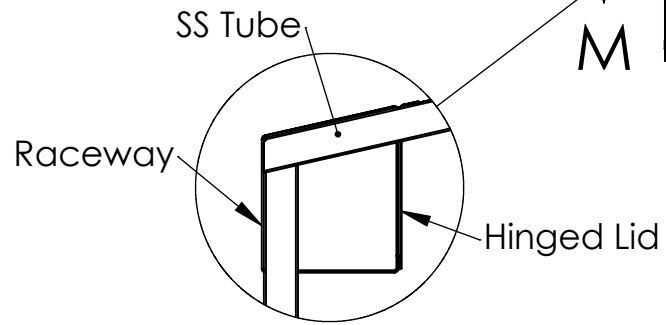
Material:

SIZE	DWG. NO.	REV.
A		

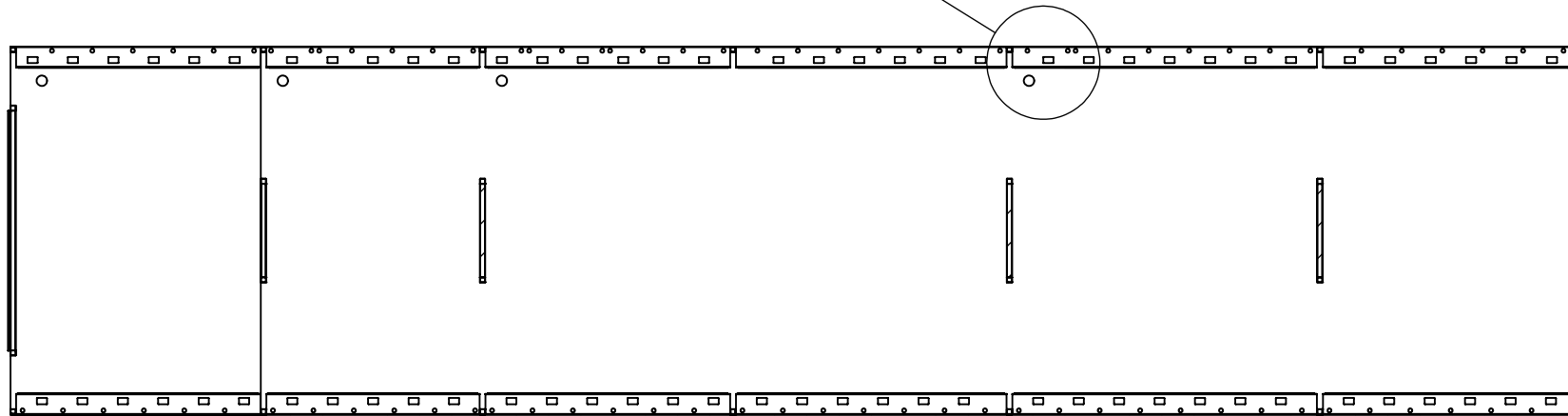
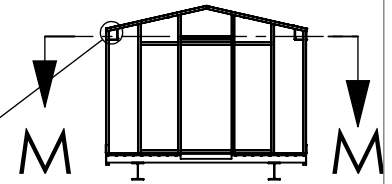
SCALE:1:1	WEIGHT:	SHEET 13 OF 20
-----------	---------	----------------



DETAIL P



DETAIL R



SECTION M-M

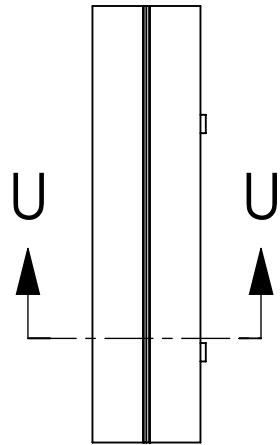
MicroDairy Designs LLC
 13339 Smithsburg Pike, Smithsburg, MD 21783
 301-824-3689 microdairy@kipe.com www.kipe.com
CONFIDENTIAL DOCUMENT

**Electrical/Water
 Air/Vacuum Ports**

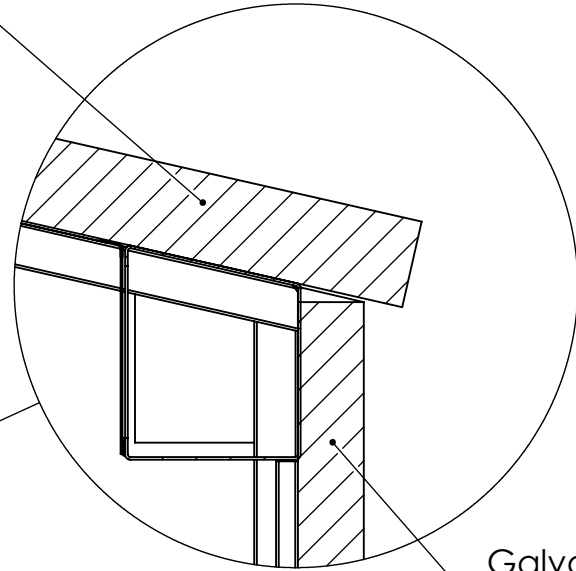
Material:

SIZE	DWG. NO.	REV.
A		

SCALE:1:1 WEIGHT: SHEET 14 OF 20

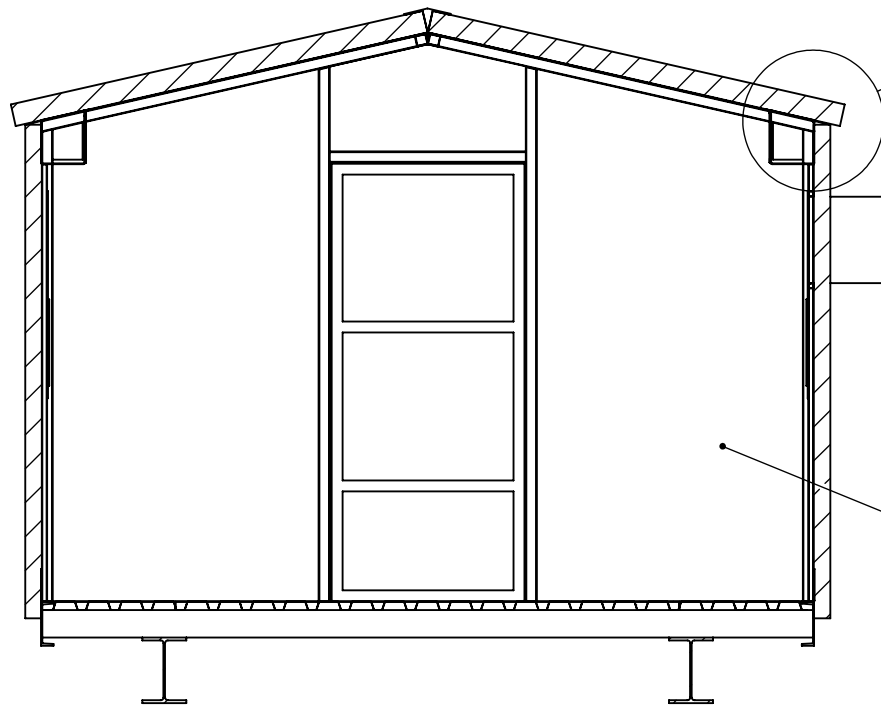


Galvamet Hi Rib
3" Insulated
Roof Panel



Galvamet Mono
3" Insulated
Exterior Wall Panel

DETAIL V



SECTION U-U

Galvamet Mono
2" Insulated
Interior Wall Panel

Note: All panels have
USDA Approved Paint
Finish on Interior and
Exterior

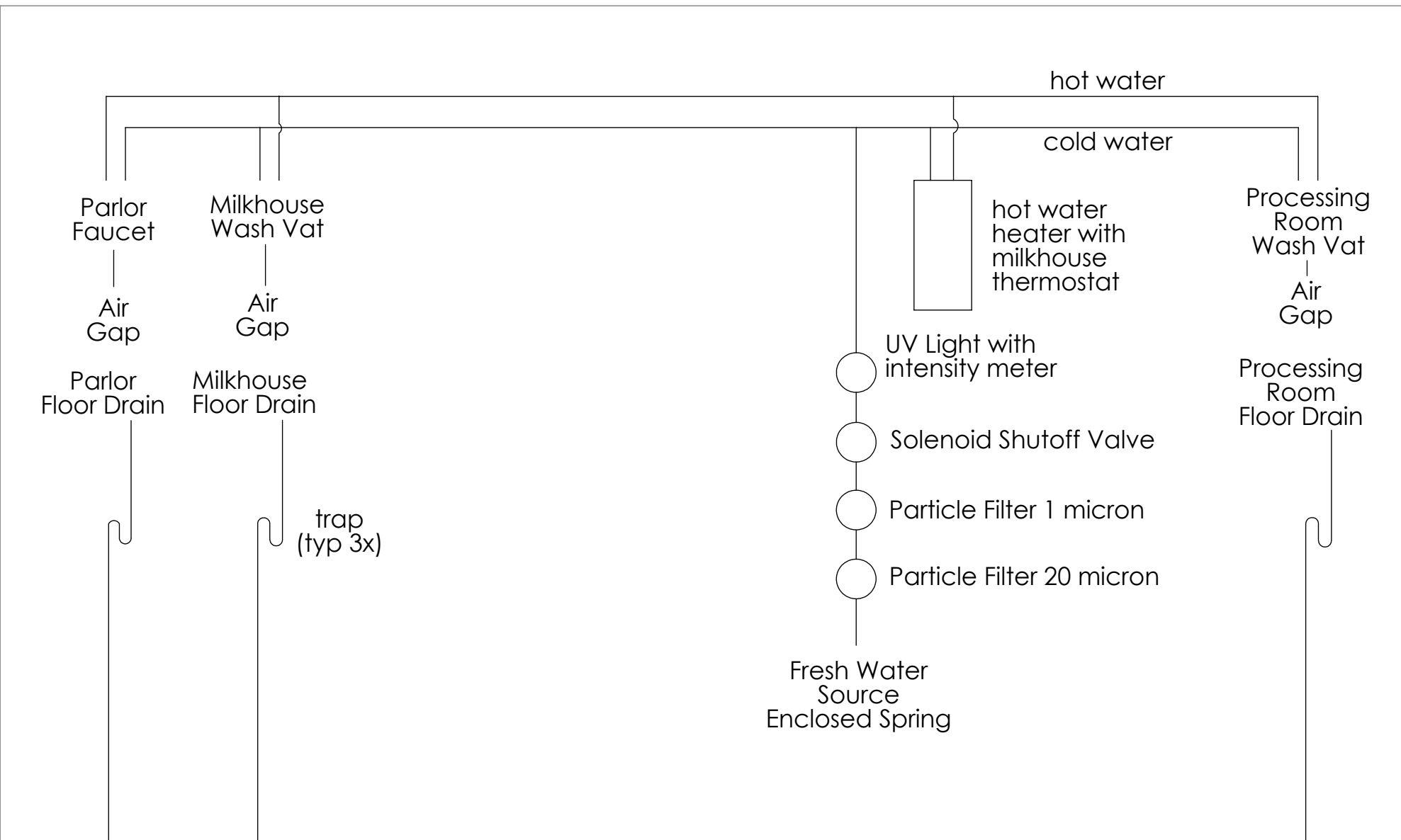
MicroDairy Designs LLC
 13339 Smithsburg Pike, Smithsburg, MD 21783
 301-824-3689 microdairy@kipe.com www.kipe.com
CONFIDENTIAL DOCUMENT

**MicroDairy Trailer
 Insulated Wall
 and Roof Panels**

Material:

SIZE	DWG. NO.	REV.
A		

SCALE:1:1 WEIGHT: SHEET 15 OF 20



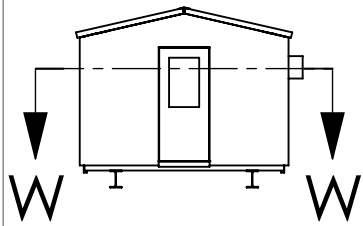
Processing Waste
To Holding Tank
For Field Application

MicroDairy Designs LLC
 13339 Smithsburg Pike, Smithsburg, MD 21783
 301-824-3689 microdairy@kipe.com www.kipe.com
CONFIDENTIAL DOCUMENT

**MicroDairy
Plumbing Schematic**

Material:

SIZE	DWG. NO.	REV.
A		
SCALE:1:1	WEIGHT:	SHEET 19 OF 20



- Pasteurizer
 - Heater 220v 22a
 - Recording Thermometer 110v 1a
 - Pump 110v 5a
 - Agitator 110v 5a
- Cream Separator 110v 5a
- Heat Pump 220v 16a
- Packaging Pump 110v 5a
- Ice Cream Maker 220v 37a
- Scales 110v 2a

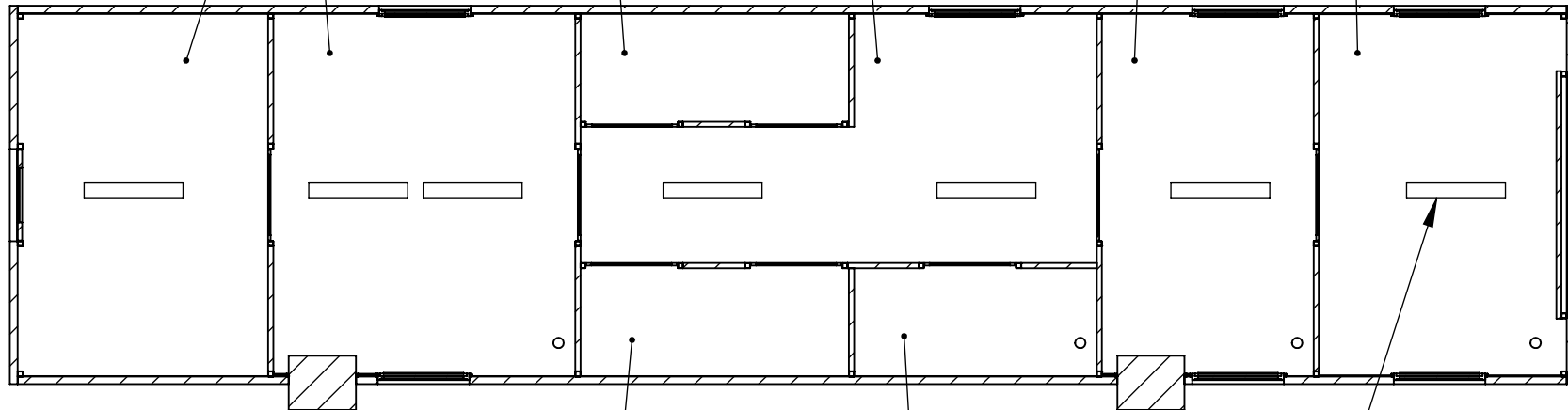
- Freezer 110v 11a
- Refrigerator 110v 8a
- Aux light 2a

- Aux Light 110v 1a
- Electrical Panels

- Computer
 - Monitor 110v 2a
 - CPU 110v 6a
 - Printer 110v 6a
 - Radio 110v 2a

- Chiller 110v 15a
- Bulk Tank
 - Recording Thermometer 110v 1a
 - Pump 110v 5a
 - Agitator 110v 5a
- Heat Pump 220v 16a
- Garage Door Opener 110v 15a

- Aux Light
 - 3 locations 110v 3a
- Holding Tank
- Pump 110v 13a



- Aux Light 110v 1a
- Water Heater 220v 30a
- Vacuum Pump 110v 14a
- Air Compressor 110v 15a (opt)

- Aux Light 110v 1a

- Fluorescent Ceiling Lighting 7 locations 110v 12a total

MicroDairy Designs LLC
 13339 Smithsburg Pike, Smithsburg, MD 21783
 301-824-3689 microdairy@kipe.com www.kipe.com
CONFIDENTIAL DOCUMENT

MicroDairy Trailer Electical Loads

Material:

SIZE	DWG. NO.	REV.
A		
SCALE:1:1	WEIGHT:	SHEET 20 OF 20